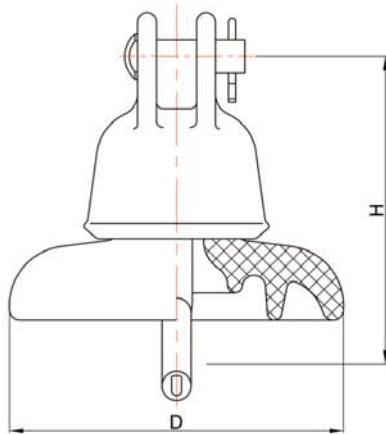
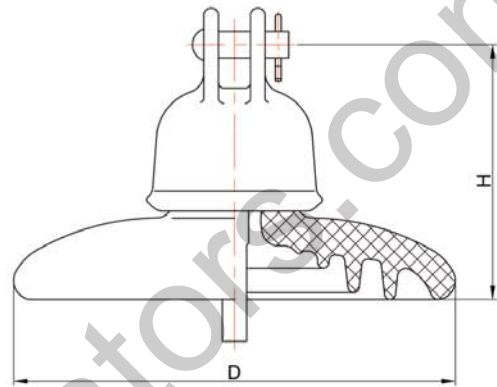


POWER SYSTEM



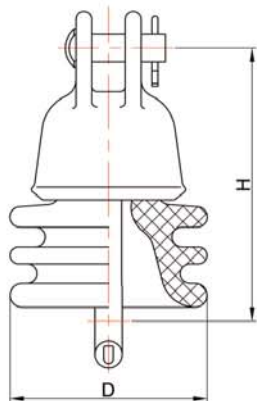
▪ FIG 1.2.1



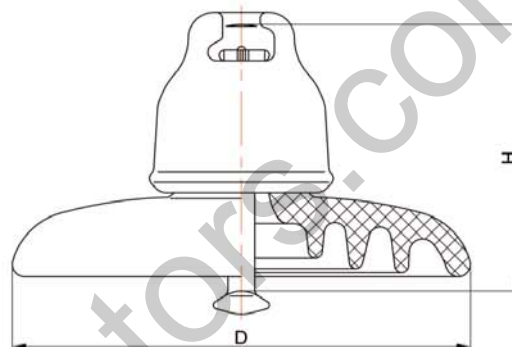
▪ FIG 1.2.2

1.2 Suspension insulators ANSI Standard

Type	Unit	52-1	52-2	52-2	52-3	52-3	52-3	52-4	52-4	52-5	52-5
Figure No.		1.2.1			1.2.4			1.2.2		1.2.4	
Unit spacing "H"	mm	140	146	146	146	146	146	146	146	146	146
Nominal diameter "D"	mm	160	200	200	255	255	270	255	255	254	255
Nominal creepage distance	mm	178	210	210	292	432	432	292	292	320	305
Combined E&M failing load	kN	45	70	90	90	70	90	70	90	110	134
Tension proof test load	kN	22.5	35	45	45	35	45	35	45	55.5	67
Impact failing load	N.m	5.0	5.5	5.5	6.0	6.0	6.0	6.0	6.0	7.0	7.0
Low frequency flashover voltage	Dry	kV	60	65	65	80	80	80	80	80	80
	Wet	kV	30	35	35	50	50	50	50	50	50
Critical impulse flashover voltage	Positive	kV	100	115	115	125	125	125	125	125	125
	Negative	kV	100	115	115	130	130	130	130	130	130
Low frequency puncture voltage	kV	80	90	90	110	110	110	110	110	110	110
Radio influence voltage	Test voltage to ground	kV	7.5	7.5	7.5	10	10	10	10	10	10
	Max. RIV at 1MHz	μ V	50	50	50	50	50	50	50	50	50
Weight	kg	2.5	3.9	4.6	5.6	7.0	7.9	4.8	5.6	6.0	5.7
Applicable standard		ANSI C29.2									



▪ FIG 1.2.3



▪ FIG 1.2.4

1.2 Suspension insulators ANSI Standard

52-5	52-5	52-6	52-6	52-6	52-8	52-8	52-8	52-8	52-8	52-8	52-9-A	52-10	52-11	52-11	52-12
1.2.4		1.2.2			1.2.4					1.2.3	1.2.2	1.2.4		1.2.2	
146	146	146	146	146	170	146	146	146	146	158.5	165	155.5	170	178	
254	270	255	255	254	280	255	272	280	280	108	280	292	280	280	
432	432	292	295	432	380	280	292	300	432	172	300	381	380	405	
110	134	110	134	110	160	160	160	178	178	45	178	222	220	222	
55.5	67	55.5	67	55.5	80	80	80	89	89	22.5	89	111	110	111	
7.0	7.0	7.0	7.0	7.0	10.0	10.0	10.0	10.0	10.0	5.0	10.0	10.0	10.0	10.0	
80	80	80	80	80	80	80	80	80	80	60	80	80	80	80	
50	50	50	50	50	50	50	50	50	50	30	50	50	50	50	
125	125	125	125	125	125	125	125	125	125	100	125	140	140	140	
130	130	130	130	130	130	130	130	130	130	90	130	140	140	140	
110	110	110	110	110	110	110	110	110	110	80	110	125	125	125	
10	10	10	10	10	10	10	10	10	10	7.5	10	10	10	10	
50	50	50	50	50	50	50	50	50	50	50	50	50	50	50	
7.8	8.0	5.6	6.5	8.0	9.2	7.8	6.8	7.8	9.7	2.3	8.1	9.7	9.7	11.4	
ANSI C29.2															